



ROSA-LC 1.25Gbps 850nm

Features:

- Light Wavelength: 850nm
- Bit Rate: 1.25Gbps
- High Sensitivity
- Differential Output
- LC Receptacle

Applications:

- Digital Optical Communication

Specifications:

Absolute Maximum Ratings

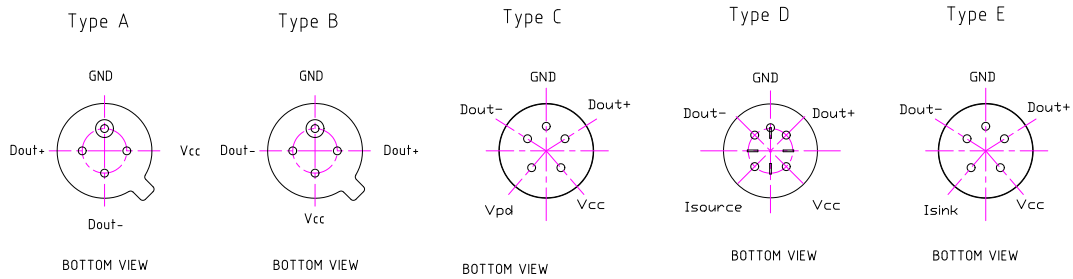
Parameter	Symbol	Min	Max.	Unit
Input optical power	Pin	--	3	dBm
Operating Temperature	Top	-40	85	°C
Storage Temperature	Tstg	-40	85	°C
Lead Solder Temperature	--	--	260	°C
Lead Soldering Time	--	--	10	s

Specifications (T=25°C, unless otherwise noted)

Parameter	Symbol	Test Conditions	Min.	Typ.	Max.	Unit
Supply Voltage	Vcc	--	3.0	3.3	3.6	V
Supply Current	Icc	Vcc=3.3V	23	25	35	mA
Operating Wavelength	λ_c	Vcc=3.3V	830	850	860	nm
RSSI Offset Current	Id	Vcc=3.3V	--	--	100	nA
Overload	OL	Vcc=3.3V	0	--	--	dBm
Sensitivity	Sen	1.25Gbps, PRBS7, 850nm, ER=10dB, BER=10E-10	--	-26	-23	dBm

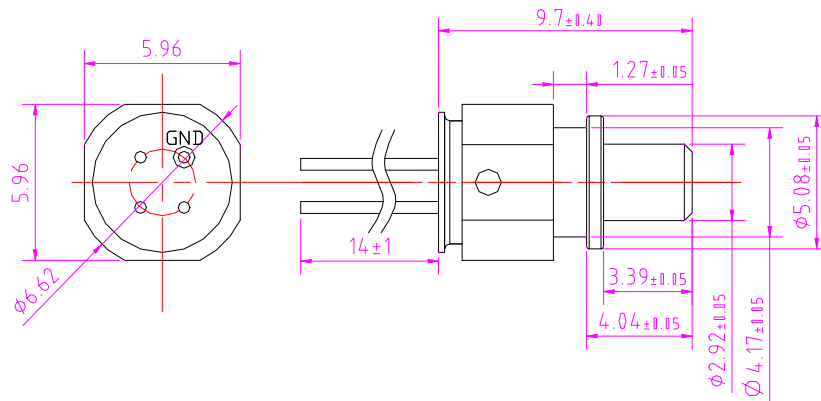


Pin Description:

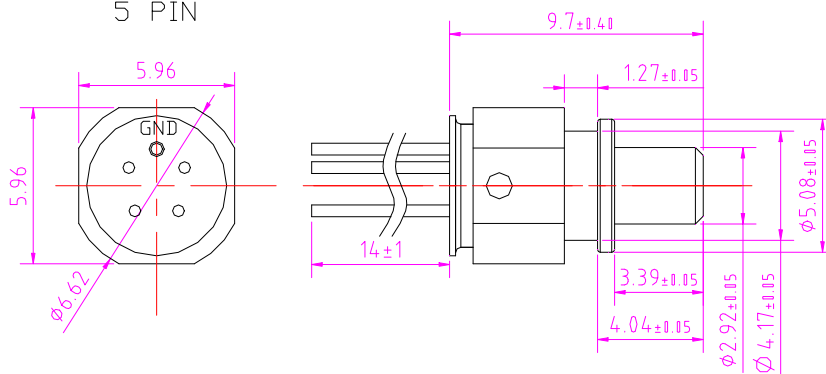


Outline:

4 PIN



5 PIN





Order Information:

ROSA — LC — 1.25Gbps — 850 —

Pin Out

A: Type A

B: Type B

C: Type C

D: Type D

E: Type E

Statement:

SAN-U owns the authority for final explanation of all information contained in this document, which is subject to change without notice. All the information was obtained in particular environments; and SAN-U will not be responsible for the performance of the customers' actual operating environments. All information contained is only for the users' reference and shall not be considered as warranted characteristics. SAN-U will not be liable for damages arising directly or indirectly which from any use of the information contained in this document.

Contact Information:

Address: N501-505 Weiye Bldg., Xiamen Pioneering Park For Overseas Chinese Scholars, Xiamen, Fujian, China

Tel: +86-592-3898601, 3898608, 5318000

Fax: +86-592-5703588

Email: sales@san-u.com

<http://www.san-u.com>